

VC-MEMV-A2

Order No.: 1884335

The illustration shows version VC-MEMV-A4



<http://eshop.phoenixcontact.de/phoenix/treeViewClick.do?UID=1884335>

Panel mounting base, made of metal, EMC-coated type 2, number of modules 3, cable screw connection Pg21

| Commercial data | |
|--------------------------|--------------------|
| EAN | 4017918164362 |
| Pack | 5 Pcs. |
| Customs tariff | 79070090 |
| Weight/Piece | 0.43004 KG |
| Catalog page information | Page 302 (PC-2007) |

Product notes

WEEE/RoHS-compliant since:
11/08/2006



<http://www.download.phoenixcontact.com>
Please note that the data given here has been taken from the online catalog. For comprehensive information and data, please refer to the user documentation. The General Terms and Conditions of Use apply to Internet downloads.

Technical data**General characteristics**

| | |
|---------------------------------|---|
| Note | When using fiber optics, the bending radii of the cable manufacturers must be observed. |
| Design | VC2 |
| Degree of protection | IP65/IP66/IP67 |
| Type of the screw connection | 1x Pg21 |
| Pg screw connection | None |
| Height | 55 mm |
| Number of module slots | 3 |
| Housing material | Zinc die-cast |
| Housing surface material | Nickel-plated |
| Seal material | EPDM, conductive |
| Ambient temperature (operation) | -40 °C ... 125 °C |

Certificates / Approvals

Approval logo

**requested approbations**

| | |
|---------------|------|
| Certification | GOST |
|---------------|------|

Accessories

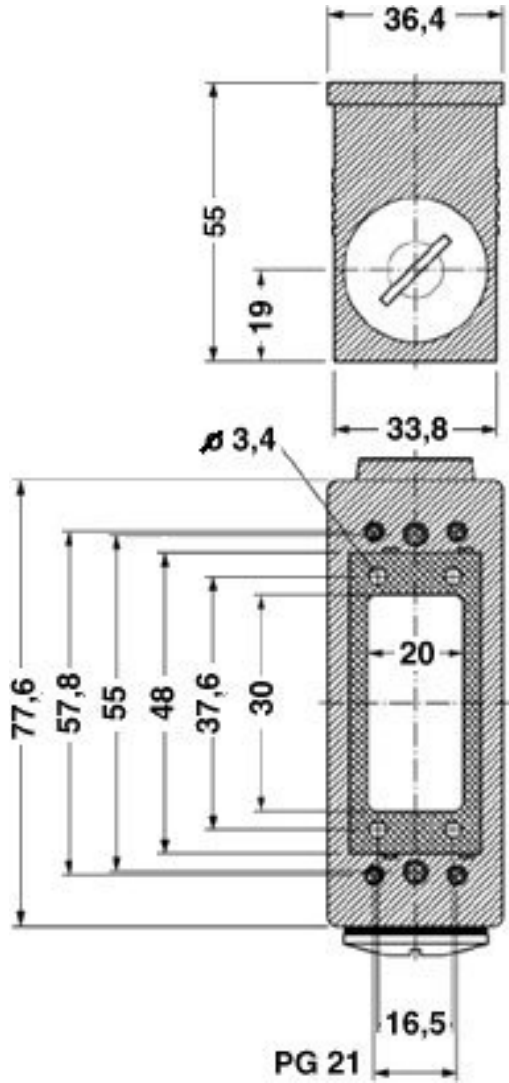
| Item | Designation | Description |
|------|-------------|-------------|
|------|-------------|-------------|

Marking

| | | |
|---------|-----------|--|
| 1852875 | VC-BZS WH | Marker labels, unprinted, 5-section, for individual labeling with M-PEN or CMS system, white |
|---------|-----------|--|

Drawings

Dimensioned drawing



Address

PHOENIX CONTACT GmbH & Co. KG
Flachmarktstr. 8
32825 Blomberg, Germany
Phone +49 5235 3 00
Fax +49 5235 3 41200
<http://www.phoenixcontact.de>



© 2008 Phoenix Contact
Technical modifications reserved;